

AMB-311 series

10.4" Flat-panel Display with 14 slots Industrial Chassis



▶ AMB-311T

Introduction

The AMB-311 Industrial PCs, is a PC-based industrial computer meets EIA-RS310C rack. It is a bare-bone PC-base system could install different level of ISA/ PICMG CPU Card or Motherboard with a 10.4" VGA (640 x 480) color TFT LCD display. The AMB-311 series comes with a dedicated ISA-bus video display card (MBC-265B), and uses TTL technology. A heavy-duty steel chassis and aluminum alloy front panel is designed for any harsh environment of industrial standards. AMB-311 has a disk drive housing for four half-height 5.25" CD-ROM or FDD and one 3.5" HDD.

Features

- 10.4" VGA color TFT LCD display
- Brightness controller, external keyboard, disk driver slots, power switch and LCD power on/off are behind a dust proof lockable door on the front panel
- Disk driver bay for four 5.25" CD-ROM or FDD and one 3.5" HDD
- 14 slots ISA/PCI-bus passive backplane.
- EIA RS-310C 19" rock-mount, 5U height
- Hold-down clamp protecting cads from vibration
- Cooling fan filter is easy to be replaced
- Two 64 CFM cooling fans

Specifications

- **Construction:** Heavy-duty steel chassis & alloy front panel.
- **Display:** 10.4" VGA (640 x 480) color TFT LCD
- **Disk Drive Housing:** 3.5" HDD & four half-height 5.25" CD-ROM space, could install AS-35
- **Front panel color:** PMS-403C (military green)
- **Mounting:** Rack mount, 5U height

- **Expansion slots:** 14-slot ISA-bus passive backplane
- **Power supply:** Universal 250W switching power supply
- **Dimension (W x H x D):** 483 x 221 x 470mm (19" x 8.7" x 18.5")
- **Gross Weight:** 21Kg (46.3 lbs)

Flat Panel Control Card (MBC-265B)

- **Type:** Half-size ISA-bus
- **Video Chip:** TOPRO TP86508
- **DRAM:** On-board 1MB
- **Connectors:** Built in 8/16-bit, 18-bit and 24-bit panel connector.
- **Max. resolution and color:** 800 x 600 @256K color

MBC-266B (optional)

- **Type:** Half-size PCI-bus
- **Video Chip:** Chips T65550
- **DRAM:** On-board 1MB, up to 2.5M (optional)
- **Connectors:** Built in 8/16-bit, 18-bit and 24-bit panel connector.
- **Max. resolution and color:** 1024 x 768 @256K color

LCD Specifications

Model	AMB-311T
Display type	10.4" color TFT LCD
Max. Resolution	640 x 480
Max. Colors	256K
Dot size (mm)	0.33 x 0.33
Luminance (cd/m ²)	70
Viewing angle	90°(H) 50°(V)
Temperature	0°C~50°C (32~122°F)
Brightness Control	VR
LCD MTBF (Hrs)	50,000
Back Light MTBF (Hrs)	20,000

Environmental

- **Operating temperature:** 0° to 50°C (32~122°F)
- **Storage temperature:** -20° to 60°C (-4~140°F)
- **Storage humidity:** 5 to 95%, non-condensing
- **Altitude:** 10,000 ft. (3000 meters)
- **Vibration:**
5 to 17 Hz, 0.1" double-amplitude displacement
17 to 500 Hz, 1.5G peak to peak
- **Shock:** 10G peak acceleration (11 msec. duration)
- **EMI:** CE/FCC Class A

Touchscreen (optional)

Type: 4-wire, analog resistive

Resolution: 1024 x 1024

Light transmission: 68% (surface meets ASTM-D-3363-92A standard.)

Operating pressure: 30-45 grams for finger, 10 grams for stylus pen. Contact bounce < 10ms

Controller: RS-232 interface

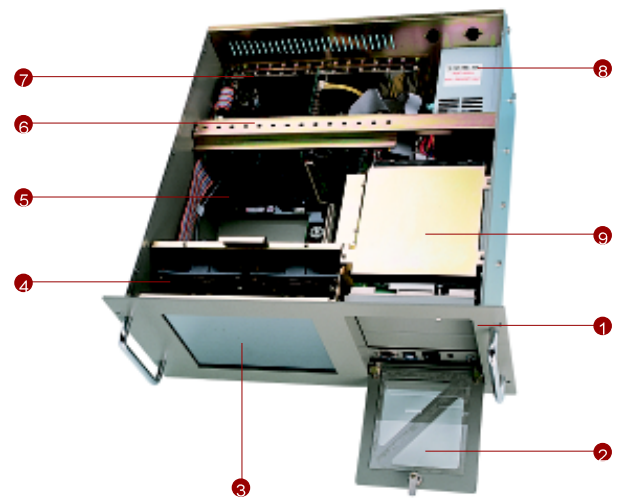
Power consumption: +5V @200mA

OS support: MS DOS, Windows 3.1, Windows 95, Windows 98, Windows NT, Windows2000

Ordering Information

- **AMB-311T**
10.4" Flat-panel Display with ISA VGA card, 14-slot ISA Backplane, 250W AC power supply
- **AMB-311TT**
AMB-311T + touchscreen (RS-232 interface)
- **AS-35** (refer to p.95)
5.25" Anti-Vibration Disk Drive Chassis for 3.5" HDD

- **MBC-6210 / MBC-110** (refer to p.93)
MicroPCI Socket 370 CPU Card with C&T 69000 VGA
CPU: Intel Celeron/Coppermine up to 850MHz (FSB 66/100MHz)
Memory: up to 768MB SDRAM
Optional Function for MBC-6210
MBC-120: Realtek RTL8139B LAN
- **Optional**
 - PCI VGA card
 - CPU
 - HDD
 - 14-slot PICMG Backplane
 - RAM
 - CD-ROM
 - 250W 24V DC power supply



1. 19" rack mounted front panel with handle-bar
2. Dust-proof lockable door
3. Flat-panel display
4. Dual push-pull cooling fans
5. 14-slot ISA-Bus passive backplane or motherboard
6. Hold-down clamp
7. Changeable rear bracket panel
8. Universal 250W power supply
9. Removable drive bay

Dimension

