
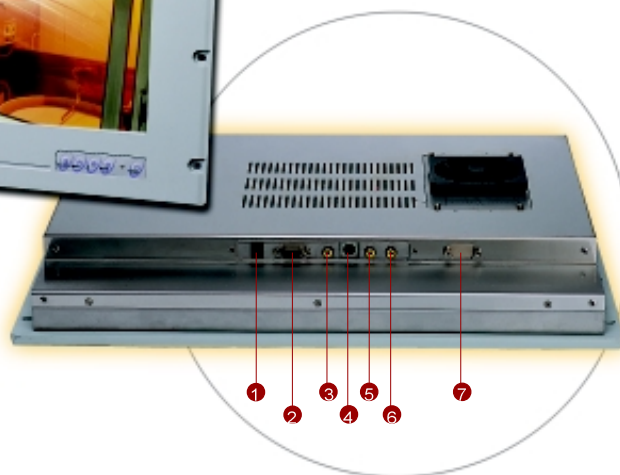


AMB-280A series

18.1" Industrial Display Monitors



AMB-280A 



1. Adapter power input
2. RGB
3. Video out
4. S-Video
5. Video 1
6. Video 2
7. Touch (optional)

Introduction

The AMB-280A industrial display panel is an ideal 18.1" SXGA (1280 x 1024) color TFT rack-mount display monitor. This is our biggest panel size that meets EIA-RS310C rack specifications with a screen size bigger than 19" traditional CRT monitors. It displays brilliant, crisp and flicker-free images with an equivalent screen size of 20" traditional CRT monitors. With the optional touchscreen, the AMB-280A is an excellent and user-friendly system control interface.

The AMB-280A provides all the requirements for an analog RGB interface that can be directly connected to standard VGA port, multi-scan function display in VGA, SVGA, XGA and text-mode in full screen. It also offers S-Video and Composite video AV signal and supports OSD function operating from the front to adjust the LCD. The chassis is constructed with an aluminum front panel and stainless steel chassis. This combination ensures a sturdy and corrosion resistant monitor and is NEMA 4/12 & IP65 compliant.

Features

- 18.1" SXGA color TFT LCD display
- Heavy-duty stainless steel chassis and aluminum alloy front panel
- EIA RS-310C 19" rack-mount 9U height
- Front panel is NEMA 4/12 & IP65 compliant
- OSD (On Screen Display) on the front panel for user

friendly operation in adjusting the LCD and power on/off.

- Strengthened glass protects the front panel from shock damage
- Analog RGB signal direct input offering multi-scan function
- S-Video and Composite video AV input signal selectable
- VGA cable length supports up to 20 Meters
- Touchscreen (optional)

Specifications

- **Construction:** Heavy-duty stainless steel chassis & Aluminum alloy front panel meets NEMA4/12 & IP65
- **Front Panel color:** RAL-7035 (white)
- **Mounting:** Rack mount 9U height or swivel arm
- **Input signal:** RGB, Composite video, S-Video
- **Control:** OSD(On Screen Display) on front panel
- **Power Supply:** External power adapter
- **Dimensions (W x H x D):**
483 x 399 x 55mm (19" x 15.7" x 2.2")
- **Carton dimensions (W x H x D):**
585 x 510 x 219mm (23.1" x 20" x 8.6")
- **Gross Weight:** 15.3Kg (33.7 lbs)

LCD Specification

Model	AMB-280A
Display type	18" color TFT LCD
Max. resolution	1280 x 1024
Max. colors	256K
Dot size (mm)	0.2805 x 0.2805
Luminance (cd/m ²)	235
Viewing angle	160° (H) 160° (V)
Operating temperature	0° ~50° (32~122°F)
OSD	Yes
LCD MTBF (Hrs)	50,000
Back Light MTBF (Hrs)	25,000

Environmental

- **Operating temperature:** 0° to 50°C (32~122°F)
- **Storage temperature:** -20° to 60°C (-4~140°F)
- **Storage humidity:** 5 to 95%, non-condensing
- **Vibration:**
5 to 17 Hz, 0.1" double-amplitude displacement
17 to 500 Hz, 1.5G peak to peak
- **Shock:** 10G peak acceleration (11 msec. duration)
- **EMI:** CE / FCC Class A

Touchscreen (optional)

Type: 8-wire, analog resistive

Resolution: 1024 x 1024

Light transmission: 72%

Operating pressure: 30-45 grams for finger, 10 grams for stylus pen. Contact bounce < 10ms

Controller: RS-232 interface

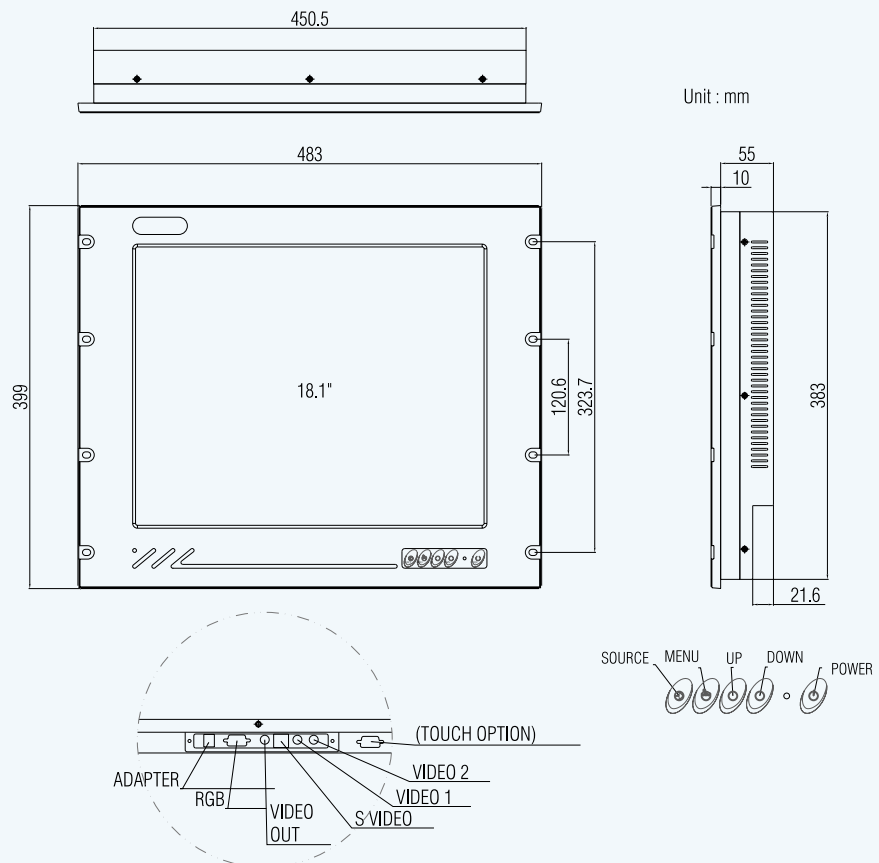
Power consumption: +5V @200mA

OS support: MS DOS, Windows 3.1, Windows 95, Windows 98, Windows NT, Windows 2000.

Ordering Information

- **AMB-280A**
18" TFT LCD, external power adapter and 1.2m VGA extension cable
- **AMB-280AT**
AMB-280A + touchscreen (RS-232 interface)
- **ARM-LA0115**
Swivel arm with VESA 75/100mm standards

Dimension



AMB-280A