

Modular System Industrial Panel PCs

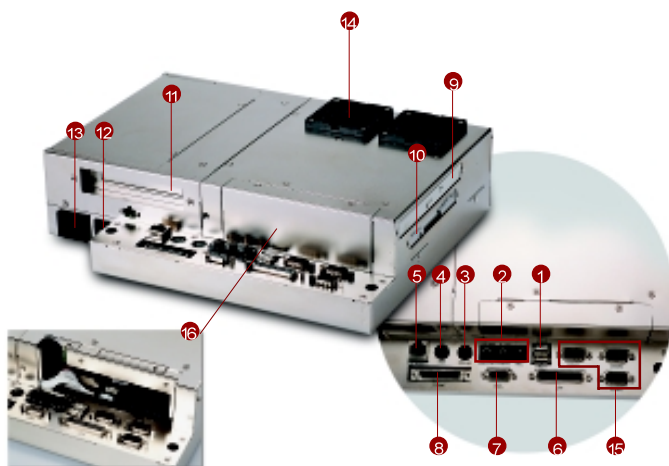
AMB-2021HT/AMB-2051HT



▲ AMB-2021HT
12.1" LCD + ACS-2301
Control Box



▲ AMB-2051HT
15" LCD + ACS-2301
Control Box



▲ ACS-2301 Control Box

- | | |
|--------------------------------|--|
| 1. Dual USB ports | 9. 24X CD-ROM drive |
| 2. Mic in/ Speaker/ Line in | 10. 3.5" Floppy disk driver |
| 3. PS/2 mouse connector | 11. One free expansion slot for ISA or PCI |
| 4. PS/2 keyboard connector | 12. Power on/off |
| 5. LAN connector (Ethernet) | 13. Power connector |
| 6. SPP/ ECP/ EPP parallel port | 14. Cooling fan |
| 7. VGA port | 15. Serial COM port |
| 8. Externet Panel port | 16. External IDE and FDD connector |



▲ 1 Meter Remote Operating

Introduction

The AMB-2021HT/AMB-2051HT modular system panel PC, are PC-based industrial computers that is designed to serve as a Man Machine Interface. They are full-function PC-based systems with 12.1" SVGA (800 x 600) or 15" XGA (1024 x 768) color TFT hi-brightness, long-life time LCD display, and work with different control modules via a 50-pin cable. The compact dimensions are ideal for automation applications when the installation space is critical. These PCs are characterized by their space saving, flexible selection of control boxes. AMB-2021HT/AMB-2051HT have a heavy-duty steel chassis with a sealed plastic front panel which meets the toughest industrial and environmental standards.

Panel PCs

Features for AMB-2021HT series

(12.1" LCD + ACS-2301 Control Box)

- 12.1" SVGA color TFT LCD display
- Plastic front panel and heavy-duty stainless steel chassis
- Water-proof front panel meets NEMA 4/12 & IP65
- All-in-one F/C Socket 370 SBC (CPU up to 850MHz)
- Four 16C550 RS-232C ports; one RS-232C port can also be set as RS-422 /485
- 16-bit stereo digital audio
- Disk drive space for CD-ROM, FDD and HDD
- DiskOnChip flash disk socket
- One free expansion slot for ISA or PCI
- Resistive touchscreen (optional)

Specifications for AMB-2021HT series

(12.1" LCD + ACS-2301 Control Box)

- **Construction:** Heavy-duty stainless steel chassis & NEMA 4/12 plastic front panel.
- **CPU:** Celeron 366MHz, up to PIII 850MHz (FSB 66/100MHz)
- **Memory:** 32MB SDRAM (Up to 256MB)
- **Display:** 12.1" SVGA (800 x 600) TFT color LCD
- **LCD/CRT controller:**
C&T 69000 on board VGA controller with 2MB SDRAM. CRT & LCD panel support.
- **Network (LAN):** Realtek RTL8139B 10/100 Base-T Ethernet controller
- **I/O ports:**
4 serial ports: 3 x RS-232, 1 x RS-232/422/485 (One is reserved for touchscreen)
1 parallel port (support ECP/EPP)
1 PS/2 keyboard interface
1 PS/2 mouse interface
- **Disk Drive Housing:**
3.5" HDD or
3.5" HDD & Slim 24x CD-ROM or
2.5" HDD, Slim 24x CD-ROM and Slim FDD
- **USB connector:** Dual USB ports
- **Front panel color:** PMS cool gray 4C
- **Mounting:** Panel mount or Wall mount (ACS-2301 control box only, optional)
- **Expansion slots:** 1 ISA or 1 PCI slot
- **Power supply:** Universal 70W switching power supply
- **Dimension (W x H x D):**
346 x 271 x 104.5mm (13.6" x 10.7" x 4.1")
- **Gross Weight:** 10.5Kg (23.2 lbs)

Features for AMB-2051HT series

(15" LCD + ACS-2301 Control Box)

- 15" XGA color TFT LCD display
- Aluminum alloy front panel and heavy-duty steel chassis
- Water-proof front panel meets NEMA 4/12 & IP65
- All-in-one FC/Socket 370 SBC (CPU up to 850MHz)
- Four 16C550 RS-232C ports; one RS-232C port can also be set as RS-422/485
- 16-bit stereo digital audio
- Disk drive space for CD-ROM, FDD and HDD
- DiskOnChip flash disk socket
- One free expansion slot for ISA or PCI
- Resistive touchscreen (optional)

Specifications for AMB-2051HT series

(15" LCD + ACS-2301 Control Box)

- **Construction:** Heavy-duty stainless steel chassis & NEMA 4/12 aluminum alloy front panel.
- **CPU:** Celeron 366MHz, up to PIII 850MHz (FSB 66/100MHz)
- **Memory:** 32MB SDRAM (Up to 256MB)
- **Display:** 15" XGA (1024 x 768) TFT color LCD
- **LCD/CRT controller:**
C&T 69000 on board VGA with 2MB SDRAM. CRT & LCD panel support.
- **Network (LAN):** Realtek RTL 8139B 10/100 Base-T Ethernet controller
- **I/O ports:**
4 serial ports: 3 x RS-232, 1 x RS-232/422/485 (One is reserved for touchscreen)
1 parallel port (support ECP/EPP)
1 PS/2 keyboard interface
1 PS/2 mouse interface
- **Disk Drive Housing:**
3.5" HDD or
3.5" HDD & Slim 24x CD-ROM or
2.5" HDD, Slim 24x CD-ROM and Slim FDD
- **USB connector:** Dual USB ports
- **Front panel color:** RAL-7035 (white)
- **Mounting:** Panel mount or Wall mount (ACS-2301 control box only, optional)
- **Expansion slots:** 1 ISA or 1 PCI slot
- **Power supply:** Universal 70W switching power supply
- **Dimension (W x H x D):**
420 x 300 x 117.7mm (16.5" x 11.8" x 4.6")
- **Gross Weight:** 13.5Kg (29.8 lbs)

Power Supply

- **Input Voltage:** 85~264V AC
- **Output Voltage:**
+5V@10A, +12V@1.5A, -12V@0.3A
- **MTBF:** 7200,000 Hrs per MIL — Handbook 217F
- **Safety:** UL, CUL, TUV approved
- **EMI:** FCC Class B, CISPR22B

Environmental

- **Operating temperature:** 0° to 50°C (32~122°F)
- **Storage temperature:** -20° to 60°C (-4~140°F)
- **Storage humidity:** 5 to 95%, non-condensing
- **Vibration:**
5 to 17 Hz, 0.1" double-amplitude displacement
17 to 500 Hz, 1.5G peak to peak
- **Shock:** 10G peak acceleration (11 msec. duration)
- **EMI:** FCC/CE Class A

Touchscreen (optional)

Type: 8-wire, analog resistive

Resolution: 1024 x 1024

Light transmission: 72%

Lifetime: 1 hundred million touches

Operating pressure: 30-45 grams for finger, 10 grams for stylus pen. Contact bounce< 10ms

Controller: RS-232 interface

Power consumption: +5V @200mA

OS support: MS DOS, Windows 3.1, Windows 95, Windows 98, Windows NT, Windows 2000.

Ordering Information

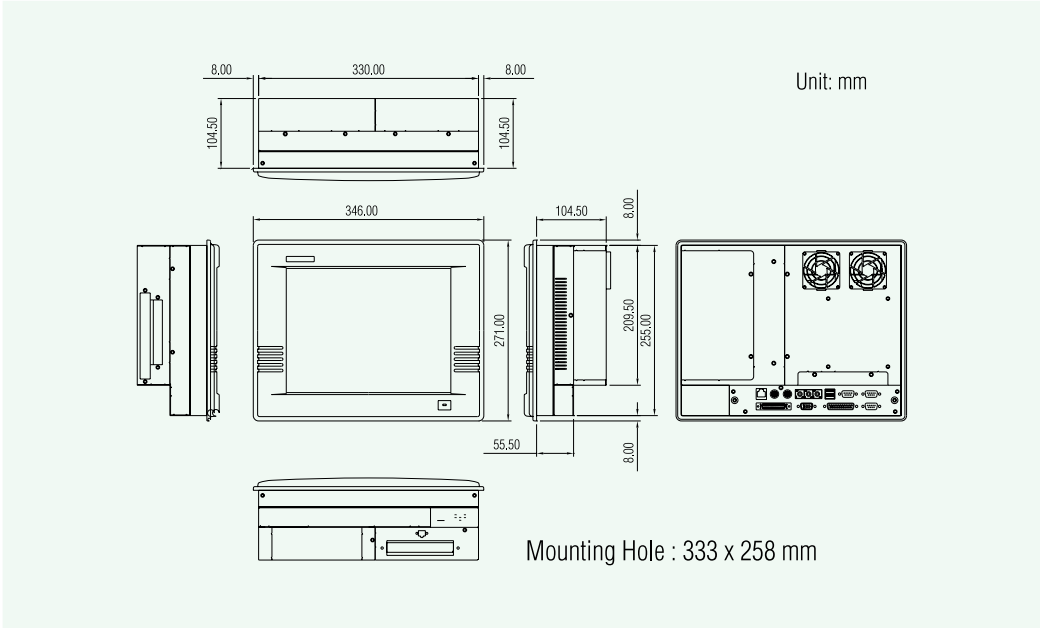
- **AMB-2021HT**
Modular system Panel PC, ACS-2301 with 12.1" color TFT LCD display
- **AMB-2021HTTT**
AMB-2021HT + touchscreen
- **AMB-2051HT**
Modular system Panel PC, ACS-2301 with 15" color TFT LCD display
- **AMB-2051HTT**
AMB-2051HT + touchscreen
- **ACS-2301**
All in one FC/Socket 370 SBC, 70W AC power supply
- **Optional**
 - CPU
 - RAM
 - HDD
 - Slim CD-ROM
 - Slim FDD
 - 70W DC10~30V power supply
 - AKB-106 (refer to p.98)
20 function-key membrane keyboard
 - AKB-107 (refer to p.98)
56 data-entry membrane keyboard

LCD Specification

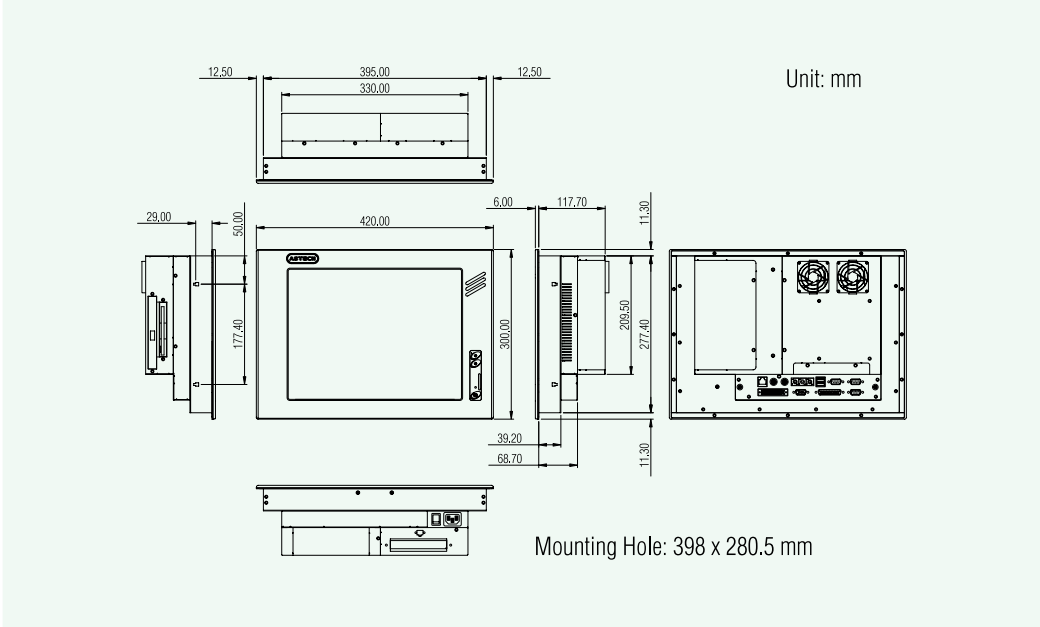
Model	AMB-2021HT	AMB-2051HT
Display type	12.1" color TFT LCD	15" color TFT LCD
Max. Resolution	800 x 600	1024 x 768
Max. Colors	256K	256K
Dot size (mm)	0.3075 x 0.3075	0.313 x 0.329
Luminance (cd/m ²)	250	250
Viewing angle	120° (H)	160° (H)
	100° (V)	160° (V)
Temperature	0° ~ 50°C (32~122°F)	0° ~ 50°C (32~122°F)
Brightness Control	Yes	Yes
LCD MTBF (Hrs)	50,000	50,000
Back Light MTBF (Hrs)	25,000	25,000



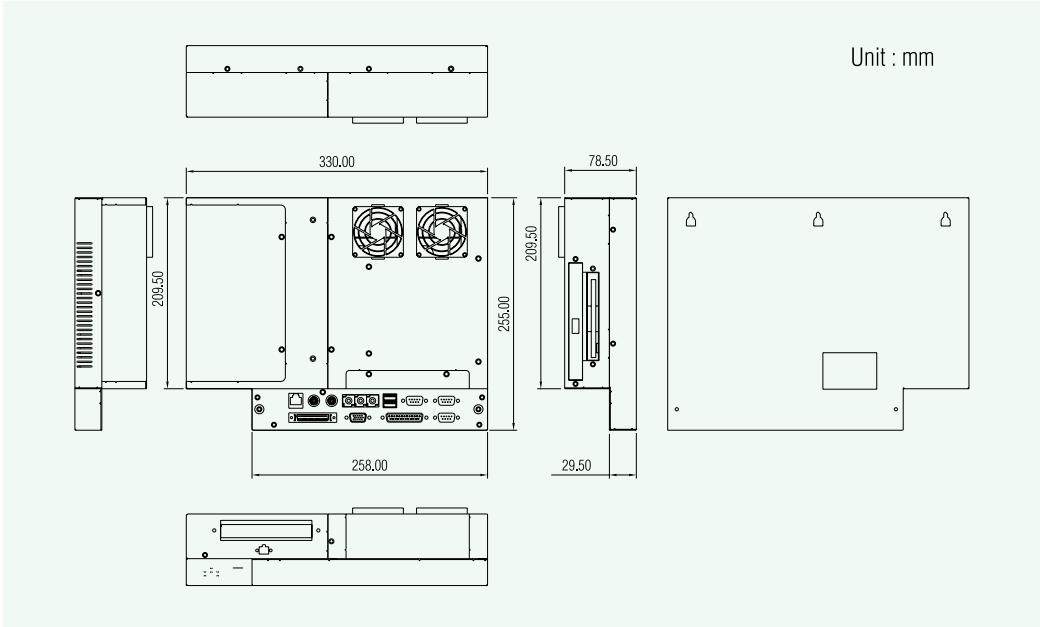
Dimension



AMB-2021HT



AMB-2051HT



ACS-2301