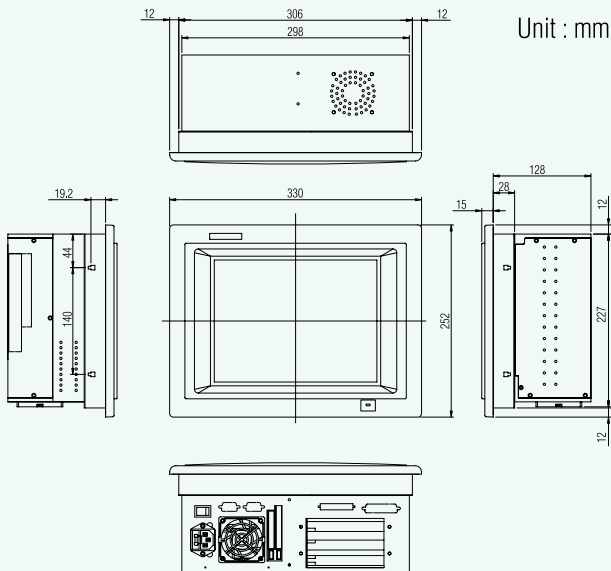


Dimension



Mounting Hole : 309 x 231 mm

AMB-2003HT