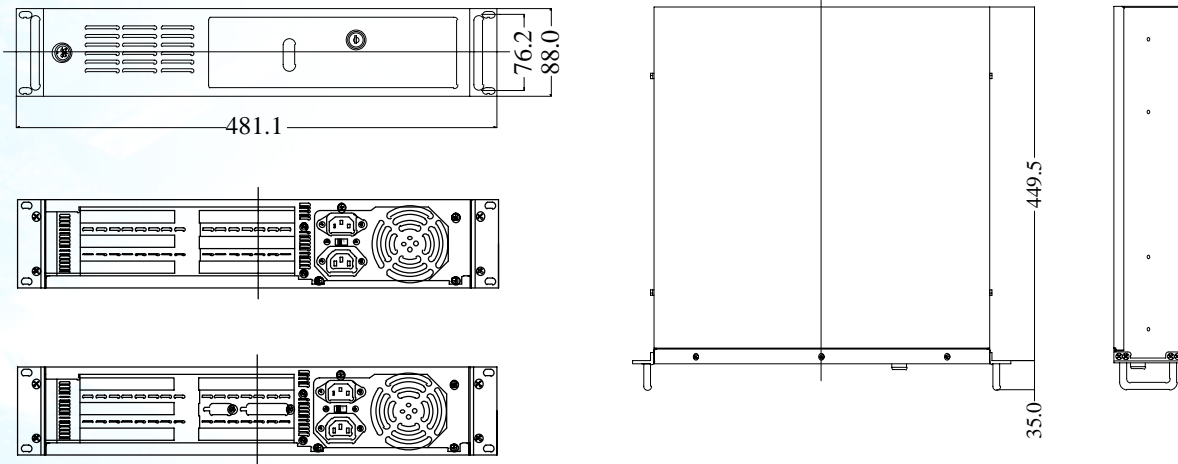


### ■ IACC205B Chassis Features

- 2U EIA RS-310C Rack-mount chassis.
- Vertically mounted PICMG backplane (included).
- Supports two ISA, two PCI, and one PICMG slot, or five ISA slots.
- Two 3.5" drive bays and one 5.25" drive bay.
- One 8cm (35.5CFM) cooling fan.



### ■ Operating Conditions

	Operating	Non-Operating
Temperature	32°F to 113°F (0°C to 45°C)	32°F to 158°F (0°C to 70°C)
Humidity	5% to 95%, non-condensing	5% to 95%, non-condensing
Shock	1G @ 10ms duration	10G @ 10ms duration
Vibration	0.25G @ 5 to 200Hz	1G @ 5 to 200Hz
Altitude	0 to 15,000ft (4,572 meter)	0 to 50,000ft (15,240 meter)

### ■ Physical Specifications

Model		C205B
Dimension (HxWxD)	inch / mm	3.46" x 18.94" x 19.07" / 88.0mm x 481.1mm x 484.4mm
Shipping Size (HxWxD)	inch / mm	8.86" x 21.85" x 26.38" / 225.0mm x 555.0mm x 670.0mm
Net Wt / Gross Wt.	kg	8 kg / 11 kg
Backplane Options		Vertical mount ISA or PCI
Power Supply Options		PS/2 Type
Drive Bays	Fixed	1 x 3.5"
	Removable	1 x 3.5" & 1 x 5.25"
Fans		One 8cm DC Fan (35.3CFM)
Indicators & Controls		Power on/off switch, Keyboard lock switch, Reset switch, Power on/off LED, HDD LED
Keyboard Connector	Front	1
	Rear	N