

# T1 CSU ACE

## COMPACT T1 NETWORK FACILITY INTERFACE



### PRODUCT FEATURES

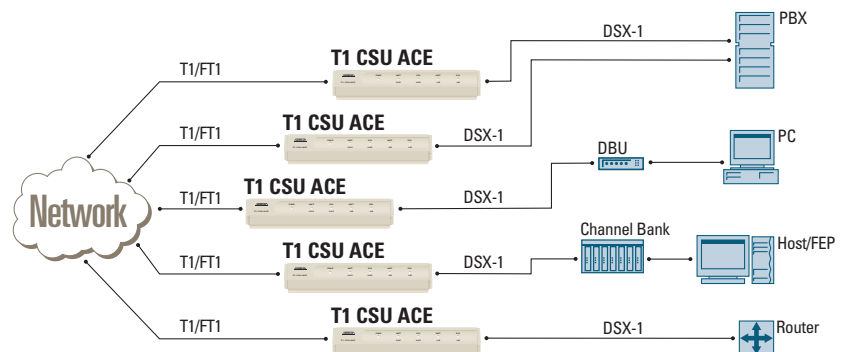
- T1 line-conditioning and jitter tolerance per ANSI T1.403, T1.102 and AT&T TR 62411
- Supports framed (B8ZS or AMI) or unframed signal formats
- Transmits unframed "all 1s" during signal loss from DTE or T1 network
- Bantam test jacks
- Front panel status LEDs
- 12 VDC Powered
- Desktop or wall-mount
- Standard 5-year warranty

The T1 CSU ACE is a compact, full-featured T1 channel service unit used to connect T1 data terminal equipment (DTE) and T1 facilities. The unit is designed to provide alarms, loopbacks, signal regeneration, line build out, and surge protection, as well as maintain 1s density for the DTE and T1 network.

The unit is suitable for wallmounting or desktop use. Five LEDs on the front of the unit (POWER, NET LOS, EQ LOS, NET LB, and EQ LB) display the status of the unit. On the back of the unit an eight position dip switch provides settings for customer premises equipment and network line build out (LBO) distances as well as manual loopback operation. The two network LBO switches provide four combination settings from 0 to 22.5dB in 7.5dB increments. The three switches allotted for the equipment LBO offer five combination settings for PBX termination at distances up to 655 feet. Two additional switches provide for manual loopback (LB) in both the Equipment (EQ) and Network (NET) directions. The last switch is a spare.

The unit provides three bantam jack pairs for testing purposes. Two pairs provide interruptive transmit and receive access toward the T1 network or the Data Terminal Equipment (DTE) device. The third pair is a non-interruptive connection for monitoring data flowing in either direction. Two RJ-48C modular jacks provide the network and DTE connections. A 12V DC wall-mount power supply that plugs into a receptacle, is included with the unit. The T1 CSU ACE also supports a customer-supplied 48V DC power source.

For additional T1 applications, ADTRAN provides several versions of the T1 CSU which offer various features and mounting options. ADTRAN T1 CSU products also include the T1 ESF CSU and the rackmounted T1 ESF CSU Smart 16 Card.



## CORPORATE OFFICE

ADTRAN, Inc.  
901 Explorer Boulevard  
P.O. Box 140000  
Huntsville, AL 35814-4000

800 9ADTRAN  
256 963-8000  
fax: 256 963-8699  
fax back: 256 963-8200  
e-mail: info@adtran.com  
web site: www.adtran.com

## REGIONAL OFFICES

Chicago, IL 800 436-4217  
Seattle, WA 800 390-1573  
Washington, DC 800 794-9798

## FIELD OFFICES

Atlanta, GA 800 289-0966  
Chicago, IL 800 471-8655  
Columbus, OH 888 865-2237  
Dallas, TX 800 471-8648  
Denver, CO 800 471-8651  
Irvine, CA 800 788-5408  
Kansas City, KS 800 471-8649  
Los Angeles, CA 888 223-7668  
Nashville, TN 888 223-7657  
New York, NY 800 471-8657  
Portland, OR 888 223-7660  
Richmond, VA 800 689-9915  
San Jose, CA 888 223-7655

## INTERNATIONAL CONTACTS

Asia Pacific/Australia  
852-2824-8283 (Hong Kong)

Canada  
800 232-6811

Caribbean/Latin America  
954 746-5355

All other International inquiries  
256 963-2500



I.S. EN ISO 9001

ADTRAN is an ISO 9001  
registered company.



Printed in the U.S.A. on recycled paper.  
612022L1-8A August 2000  
©2000 ADTRAN, Inc. All rights reserved.

# Product Specifications

## NETWORK INTERFACE

### Line Rate

- T1/FT1 (1.544 Mbps)

### Physical Interface

- RJ-48C: 8-pin modular

### Specifications

- AT&T TR62411
- ANSI T1.403

### Framing

- D4 (SF)/ESF

### Line Code

- AMI/B8ZS

### ESF Format

- Transparent

### Input Signal

- 0 to -36dB, Auto sensitivity setting

### Transmission Type

- Regenerative transparent toward network and toward DTE

## EQUIPMENT INTERFACE

### Electrical

- DSX-1

### Compliance

- ANSI T1.102

### Receiver Performance

- Line build out for 0-655 ft

### Keep Alive Signal

- Unframed all 1s on loss of signal from DTE

## USER OPTIONS

### Option Switches

- Network loopback
- Equipment loopback
- Network Line Build Out (0, 7.5, 15, 22.5dB)
- Equipment Line Build Out (0-133, 134-265, 266-399, 400-533, 534-655 ft)

### Test Jacks

- Interruptive test signal access network and DTE
- Non-interruptive signal receive monitor for network and DTE

### LED Indicators

- Power
- Network Loss of Signal
- Equipment Loss of Signal
- Network Loopback
- Equipment Loopback

### Mounting

- Desktop or wall-mount
- Accessible on side of unit

## COMPLIANCE

- FCC part 15, Class B
- FCC Part 68
- Industry Canada CS03
- UL 1950, third edition
- CUL

## ENVIRONMENT

### Operating Temperature

- 0° to 50°C, (32° to 122°F)

### Storage Temperature

- -20° to 70°C, (-4° to 158°F)

### Relative Humidity

- Up to 95%, non-condensing

## PHYSICAL

### Dimensions

- 1.45" H, 4" D, 6.7" W

### Weight

- 12.8 oz

### Power

- 12 to 48 VDC

## PRODUCT INCLUDES

- 12 VDC power supply
- Power cable for customer supplied DC power source
- Wall-mount plate
- RJ-45 cable
- DB-15 to RJ-45 adapter
- User manual

# Ordering Information

## EQUIPMENT

## PART #

T1 CSU ACE . . . . . 1202022L1



Specifications subject to change without notice.