

IMUX-56/64

ATLAS MODULE

PRODUCT FEATURES

- Designed for disaster recovery applications
- BONDS multiple 56/64 kbps channels
- Implements BONDing Mode 1
- Capable of 32-128 kbps BONDing sessions
- Number of BONDED channels is user configurable from 2 to 32
- Can be used to restore Frame Relay or dedicated FT1/T1 links
- Supports DTR dialing, event driven, and terminal command BONDing
- Occupies a single slot in the ATLAS chassis
- Hot swappable
- Standard 5-year warranty

The IMUX-56/64 Module combines multiple ISDN B-channels using the BONDING Mode 1 protocol to support high bandwidth ISDN applications such as dial backup of frame relay or dedicated circuits. The inverse multiplexing (IMUX) capacity of the module is 64 DSOs or ISDN B-channels (4.096 Mbps total), which can be allocated according to the user's needs. For example, one bonding session in an ATLAS system could be configured to bond eight B-channels as a dial backup link to a remote 512 kbps device such as the ISU 512. Similarly, the total bonding capacity of the module might be configured to implement four sessions at 512 kbps, two at 384 kbps, and ten at 128 kbps. The table on reverse shows how many sessions can be supported at typical BONDing rates.

The IMUX-56/64 Module has no external network or user interfaces. Network traffic is passed to it though other ATLAS modules such as the Octal BRI Module or the Quad T1/PRI module. Similarly, traffic is passed to the user through modules such as the Quad Nx56/64 module. This partitioning allows the IMUX-56/64 Module to serve as a resource for multiple user devices.

When combined with the ATLAS 800^{PLUS} and frame relay software, the IMUX-56/64 Module can offer high speed dial backup around the network in frame relay applications. This same capability can be applied to providing dial backup of failed dedicated circuits or other network connections. Other applications that may call for the IMUX-56/64 Module include image transfer and video conferencing.

The IMUX-56/64 Module is compatible with the ISDN Dial Backup options of ADTRAN's Express 5000 series products as well as the IQ family of frame monitoring CSU/DSUs. It is also compatible with ISDN Access products such as ADTRAN's ISU 128 and ISU 512, as well as the ISDN dial backup options of the TSU family of T1 access devices.

CORPORATE OFFICE

ADTRAN, Inc.
901 Explorer Boulevard
P.O. Box 140000
Huntsville, AL 35814-4000

800 9ADTRAN
256 963-8000
fax: 256 963-8699
fax back: 256 963-8200
e-mail: info@adtran.com
web site: www.adtran.com

REGIONAL OFFICES

Chicago, IL 800 436-4217
Seattle, WA 800 390-1573
Washington, DC 800 794-9798

FIELD OFFICES

Atlanta, GA 800 289-0966
Chicago, IL 800 471-8655
Columbus, OH 888 865-2237
Dallas, TX 800 471-8648
Denver, CO 800 471-8651
Irvine, CA 800 788-5408
Kansas City, KS 800 471-8649
Los Angeles, CA 888 223-7668
Nashville, TN 888 223-7657
New York, NY 800 471-8657
Portland, OR 888 223-7660
Richmond, VA 800 689-9915
San Jose, CA 888 223-7655

INTERNATIONAL CONTACTS

Asia Pacific/Australia
852-2824-8283 (Hong Kong)
Canada
800 232-6811
Caribbean/Latin America
954 746-5355
All other International inquiries
256 963-2500

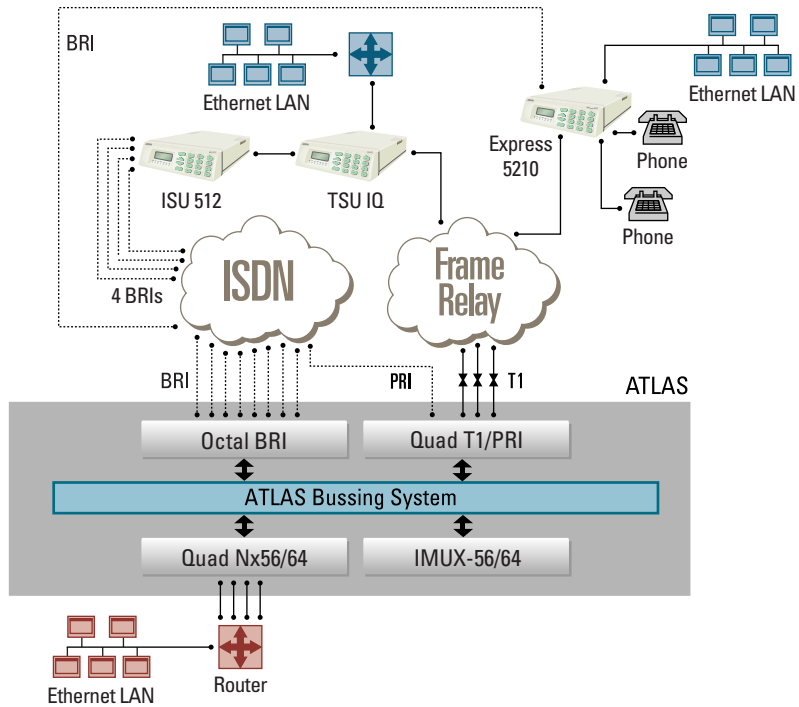


I.S. EN ISO 9001

ADTRAN is an ISO 9001 registered company.



Printed in the U.S.A. on recycled paper.
61200262L1-8B November 1999
©1999 ADTRAN, Inc. All rights reserved.



Capacity

As an example, a single IMUX-56/64 Module is capable of:

SESSION TYPE	MAXIMUM
128k	32
384k	10
512k	8
1536k	2
2048k	2

In addition to the specific configurations described in the above table, it is possible to configure ATLAS for a combination of IMUX speeds, e.g., six 512 kbps sessions and eight 128 kbps sessions. Multiple IMUX-56/64 Modules can be installed in an ATLAS system to increase capacity.

Product Specifications

PROTOCOLS

- BONDing mode 1

CAPACITY

- Up to 32 128 kbps sessions
- Total bandwidth of 4.096 Mbps available

AGENCY APPROVALS

- FCC Part 15, Class A, UL, Canadian UL (CUL)

PHYSICAL DIMENSIONS

- **Size:** 9.7" L, 6.0" W, 0.8" H
- **Weight:** 1.1 lb
- **Power:** 6.6 Watts maximum dissipation

ENVIRONMENTAL

- **Operating Temperature:** 0°C to 45°C, 32°F to 113°F
- **Storage Temperature:** -20°C to 70°C, -4°F to 158°F
- **Relative Humidity:** Up to 95%, non-condensing

PRODUCT INCLUDES

- User Manual

Ordering Information

EQUIPMENT	PART #
IMUX-56/64 Module	1200262L1

Specifications subject to change without notice.