

QUAD T1/PRI

ATLAS MODULE

PRODUCT FEATURES

- Four T1/PRI Interfaces
- Built-in CSUs
- Configurable for DS-1, PRI or DSX-1 Operation
- Maximum Distance 6,000 ft
- AT&T 54016, 62411 and ANSI T1.403 Compliant
- D4 and ESF Framing Formats
- AMI and B8ZS Line Coding
- D-Channel to Robbed Bit Signaling Conversion
- ESF Performance Monitoring
- Local and Remote Loopback Support
- Generates and Detects QRSS Test Pattern
- Compliant with Lucent 4ESS/5ESS, Nortel DMS100 and National ISDN
- Lightning Protection
- Flash Upgradable
- Occupies a Single Slot in the ATLAS Chassis
- Hot Swappable
- Standard 5-year Warranty

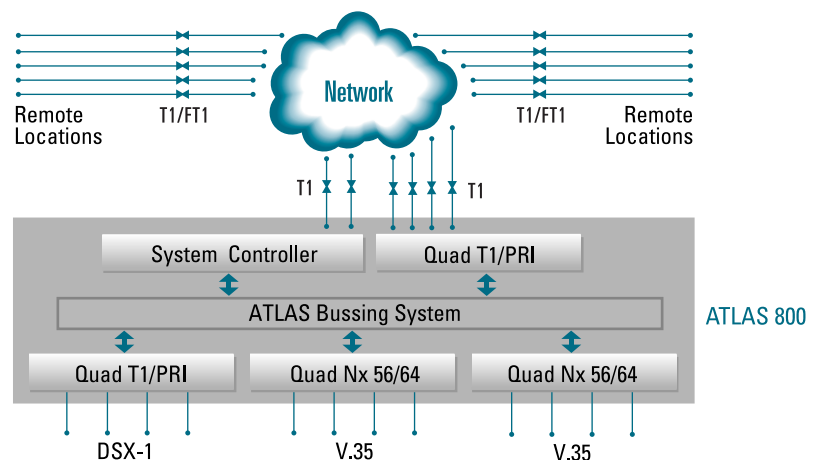
The Quad T1/PRI module combines with other ATLAS components to implement a variety of WAN access products, including a T1 Bandwidth Manager, an ISDN Access Switch, and a Digital Access Cross-Connect System (DACS). The module provides four network ports, each of which can be independently configured to operate in T1 (DS-1 or DSX-1) or Primary Rate ISDN (PRI) modes.

The Quad T1/PRI module can perform T1 to PRI conversion, translating between the robbed-bit signaling presented in a channelized T1 circuit and the D-channel signaling of a PRI circuit. When using the Quad T1/PRI module, ATLAS operates in a DACS mode supporting DS0 time slot interchange and DS0 grooming while preserving robbed bit signaling. ATLAS can be fully populated with Quad T1/PRI modules to support a pure DACSing application of 34 T1 circuits.

Configuration of the Quad T1/PRI module can be accomplished through a variety of mechanisms, including Telnet or VT100 Emulation. SNMP management is supported for alarm and event reporting.

Extensive T1 circuit monitoring is standard with the Quad T1/PRI module, including the ability to detect, store, and report all performance parameters specified in AT&T Technical Reference 54016. The module detects and reports alarm conditions associated with the circuit, including Loss of Signal, Red Alarm, Blue Alarm, Yellow Alarm, and for PRI circuits, D-Channel Synchronization.

The Quad T1/PRI module responds to standard loopback commands from the telephone company central office, both in-band commands and those sent through the Facilities Data Link. In addition, local and remote loopbacks (both line and payload) can be initiated from ATLAS. When testing the T1 circuit, the Quad T1/PRI module allows the user to select from a variety of test patterns, including all 1's, all 0's, as well as a standard QRSS pattern. When sending the QRSS pattern, the Quad T1/PRI module records and reports the results of the testing to the user.



CORPORATE OFFICE

ADTRAN, Inc.
901 Explorer Boulevard
P.O. Box 140000
Huntsville, AL 35814-4000

800 9ADTRAN
256 963-8000
fax: 256 963-8699
fax back: 256 963-8200
e-mail: info@adtran.com
web site: www.adtran.com

REGIONAL OFFICES

Chicago, IL
800 436-4217

Seattle, WA
800 390-1573

Washington, D.C.
800 794-9798

FIELD OFFICES

Atlanta, GA
800 289-0966

Chicago, IL
800 471-8655

Columbus, OH
888 865-2237

Dallas, TX
800 471-8648

Denver, CO
800 471-8651

Irvine, CA
800 788-5408

Kansas City, KS
800 471-8649

Los Angeles, CA
888 223-7668

Nashville, TN
888 223-7657

New York, NY
800 471-8657

Portland, OR
888 223-7660

Richmond, VA
800 689-9915

San Jose, CA
888 223-7655

Hong Kong
852 2824-8283

Montreal, Canada
800 232-6811



I.S. EN ISO 9001

ADTRAN is an ISO 9001
registered company.



Printed in the U.S.A. on recycled paper.
61200185L2-8B August 1998
©1998 ADTRAN, Inc. All rights reserved.

Product Specifications

PHYSICAL INTERFACE

- 8-Pin Modular RJ48C

LINE RATE

- 1.544 Mbps

FRAMING

- D4, ESF

LINE CODING

- AMI, B8ZS

LINE LENGTH

- 6,000 feet 24 gauge (DS-1); 655 feet (DSX-1)

LBO

- 0, 7.5, 15, 22.5 dB; 266, 399, 533, 655 feet

SYSTEM TIMING

- Network, Internal, External

ROBBED BIT SIGNALING

- E&M Immediate, E&M Wink, Ground Start, Loop Start, SW56

CONVERSION

- Robbed Bit Signaling to ISDN D-Channel, AMI to B8ZS, D4 to ESF

SWITCH COMPATIBILITY

- PRI Mode: Lucent 4ESS/5ESS, Nortel DMS-100, National ISDN

SWITCH EMULATION

- Lucent 4ESS/5ESS

DIAGNOSTICS

- Local Loopback - Line and Payload
- Remote Loopback - Line and Payload

TEST PATTERNS

- QRSS, All 1's, All 0's

ALARMS

- Loss of Signal, Red, Yellow, Blue, D-Channel

PERFORMANCE MONITORING

- ES, BES, SES, SEFS, LOFC, CSS, UAS, LCV, PCV, LES

SIGNAL MONITORING

- AB signaling bits for all DS0s, individual monitor jacks for each port

AGENCY APPROVALS

- FCC Part 15, Class A, UL, and Canadian UL (CUL)

ENVIRONMENT

- Operating: 0 to 45°C (32 to 113°F)
- Storage: -20 to 70°C (-4 to 158°F)
- Relative Humidity: Up to 95%, non-condensing

POWER

- 6.5 Watts

PRODUCT INCLUDES

- Four RJ48 to RJ48 Cables (15 feet)
- Two RJ48 to RJ48 Crossover Cables (15 feet)
- Two RJ48 to DB15 Adapters
- User Manual

Ordering Information

EQUIPMENT	PART #
Quad T1/PRI Module	1200185L2

Specifications subject to change without notice.

