

# DSO Grooming

ATLAS 3/1/0 DACS

Featuring  
ATLAS 800



If your site is served by multiple T1 lines, the ADTRAN® ATLAS 3/1/0 DACS allows you to replace them with a T3 circuit for a more cost-effective solution. ADTRAN's ATLAS system offers a complete 3/1/0 DACS for grooming and switching of T3 and T1 services down to the DS0 level. ATLAS provides a full non-blocking digital crossconnect to groom and fill any DS0 channel on any T3 or T1.

On the average, the break-even point for T3 service is between six to 10 T1s. Small- to medium-sized corporate host site users may save significant monthly communications costs bringing those T1s in on a T3 circuit. The ATLAS 3/1/0 DACS is also beneficial to carriers who need lower-cost 3/1/0 DACS for small to medium applications. This compact, modular and scalable system manages multiple types of access lines into the site and provides switching, grooming, and the integration necessary to provide a single source solution at an affordable price.

For convenience, the ATLAS 3/1/0 DACS pre-configured system includes a T3 interface and ten (10) T1/PRIs. The modularity of ATLAS enables you to start with the pre-configured system and add more modules as needed for your application.

## SOLUTION FEATURES

- Significantly reduces monthly communications costs
- Provides T1 DACS, grooming, and time slot interchange to the DS0 level
- Creates efficient T3 network
- Offers complete solution in compact, modular and scalable platform
- Combines M13 multiplexer, DSU/CSU, and DS0-level DACS
- Includes one T3 and 10 T1/PRIs

**ADTRAN**

## ATLAS 3/1/0 DACS

4200180L3

- Offers complete 3/1/0 DACS for small- to medium-sized applications where a T3 is more economical than multiple T1s
- Allows grooming down to DS0 channels

### ATLAS Chassis

- Multifunction integrated access
- Eight-slot modular platform
- Two T1s included
- Manage with SNMP, Telnet, VT100

### T3 Module

- Channelized T3 network interface
- Optional second T3 interface for drop and insert applications
- Cross-connect, drop and insert to the DS0 level (3/1/0 DACS)
- Performance monitoring of the DS3 or individual DS1 circuits
- SNMP alarm support
- Noninterruptive maintenance data link

### Quad T1/PRI Module

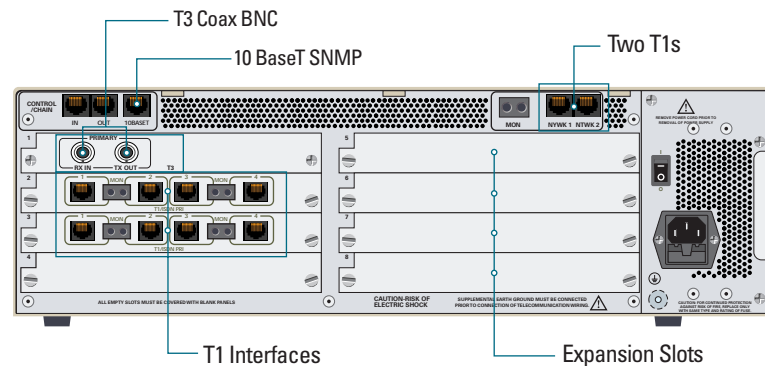
- Four T1/PRI interfaces
- Built-in CSUs
- Configurable for DS-1 or DSX-1 operation
- Maximum distance of 6,000 feet
- D4 and ESF framing formats
- AMI and B8ZS line coding
- Supports monitoring, loopback, and test
- Robbed bit signaling (AMI to B8ZS, D4 to ESF)

ADTRAN is a registered trademark of ADTRAN, Inc. All other registered trademarks and trademarks mentioned in this publication are the property of their respective owners.



Printed in the U.S.A. on recycled paper.  
C9ABDAC3-115A November 1999  
©1999 ADTRAN, Inc. All rights reserved.

## ATLAS 800



- This configuration allows customers to terminate T3 and split out voice/data to their customer premises equipment.
- The package bundles one T3 and 10 T1 interfaces.

### ATLAS 3/1/0 DACS Hardware:

- ATLAS 800 base unit
  - ATLAS 800 user manual
  - Power cord
  - Network cables (2)
  - Rackmount brackets (left and right)
  - RJ45-DB25 adapter (modem and direct)
  - RJ45 control port cable (1)
  - DSX-1 crossover cable (1)
  - RJ48 to DB15 adapter (1)
  - ADTRAN Utilities (VT100 emulator, Telnet, TFTP, syslog)
- T3 Module
- BNC-BNC (male) cables (2)
- Quad T1/PRI Modules (2)
- RJ48-RJ48 cables (4)
  - RJ48-RJ48 crossover cables (2)
  - RJ48-DB15 adapter cables (2)

*The ATLAS application packages bundle together the most popular ATLAS configurations. The packages allow a customer to use a single part number to order the ATLAS system pre-configured for a specific application. None of the packages will fill the ATLAS chassis, so additional options can be purchased now or added later. The ATLAS platform and its option modules are also available individually.*

### For More Information

[www.adtran.com](http://www.adtran.com)

ADTRAN, Inc.  
901 Explorer Blvd.  
Huntsville, AL 35806

General Information  
800 9ADTRAN  
[info@adtran.com](mailto:info@adtran.com)

Applications Engineering (Pre-Sale)  
800 615-1176