

# 172VA, 20 HZ Modular Ringing Supply

## Key Features

- **Modular Design**—permits easy addition or replacement without system shutdown
- **Only 7" (17.78cm) High**—compact design minimizes use of vertical rack space
- **Up to 172VA Capacity**—for a wide range of applications
- **Single or Redundant Operation**—to meet your requirements
- **Field-Adjustable Voltage and Frequency**—for special applications
- **LED Indicators**—provide easy system status review
- **Weighs 57 Lbs. (25.86 Kgs)**—reduces floor loading

## Description

The Lorain® SFT7 20 Hz modular ringing supply is a compact, modular shelf unit that can be easily configured to provide from 86 to 172VA ringing capacity from a -48 VDC source for a wide range of applications.

The modular design enables fast field expansion and simple replacement for service or repair without system shutdown. The unit will accept up to three (3) model T86 ringing generator modules that deliver a nominal 86VA output from the -48 VDC source. The T86A modules supply a single negative superimposed ringing output. The output frequency is 20 Hz,  $\pm 1$  Hz, and the output voltage is nominal 86 volts AC superimposed on 48 volts DC. Voltage and frequency are field-adjustable for special applications. Spare T86A modules can be kept on hand for quick, on-site replacement.

The unit is designed to operate over a wide ambient temperature range of  $-40^{\circ}\text{C}$  to  $+65^{\circ}\text{C}$  ( $-40^{\circ}\text{F}$  to  $+149^{\circ}\text{F}$ ). It is also compact, measuring just 12" (30.48cm) deep and only 7" (17.78cm) high to minimize vertical space in a 23" (58.42cm) wide relay rack. It weighs 57 lbs. (25.86 Kgs) fully equipped for reduced floor loading.

The SFT7 is equipped with an Alarm/Distribution Unit (ADU) that provides alarms and ringing distribution load fuses. Local "Power On" and "Output Overload" indicators are provided on the generator front panel. A failure condition will activate the indicators and extend an alarm to the ADU. Test jacks for checking the generator output voltage and frequency are conveniently located on the front panel.

## Application

The SFT7 is a compact, environmentally hardened unit that makes it ideal for a wide range of applications, including central office residual loads, digital loop carrier and feeder loop systems.

## Additional Information

For additional specifications, engineering and installation information, specify model number and spec. number per configuration information on back page.



# 172VA, 20 HZ Modular Ringing Supply

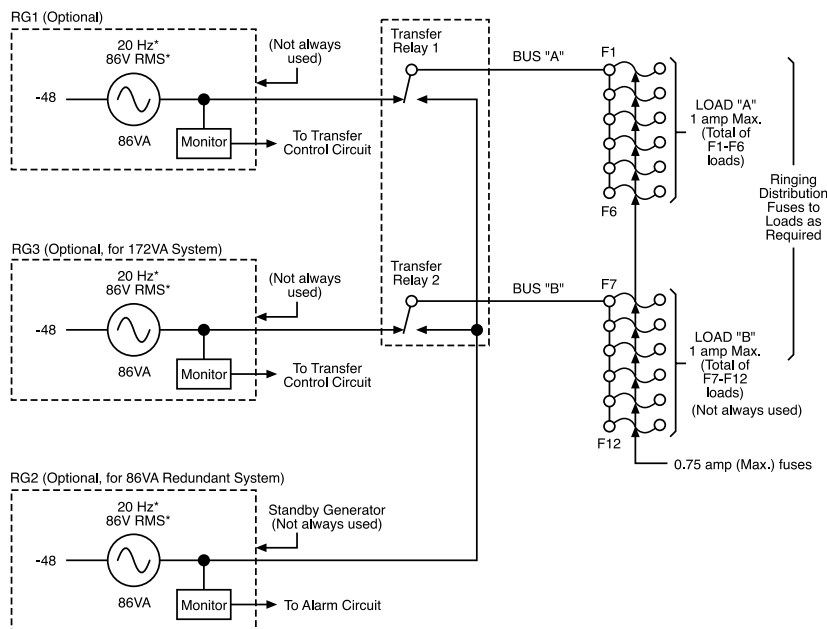
## Configuration

### Load A/B with Standby Generator — Dual Bus 172VA Redundant System

<b>T86A Ringing Generator (Load A)</b>	<b>T86A Ringing Generator (Load A/B Standby)</b>	<b>T86A Ringing Generator (Load B)</b>	<b>ADU (Standard)</b>
<b>RG1</b>	<b>RG2</b>	<b>RG3</b>	

- (1) SFT7 mounting shelf, spec. number 585101500
- (3) T86A ringing generator module, spec. number 487110900
- \* (1) Input/output termination panel, spec. number 436140600. Includes plug-in wiring harness.

\*Not required if input/output connectorized wiring is provided with OEM system. Termination panel number 436140600 provides screw-type barrier terminal strips for ease of connecting all input, output and alarm leads. Panel size is 23" (58.42cm) x 3.5" (8.89cm) high.



\*Nominal Value (adjustable from 65 to 90V rms and choice of 20 or 25 Hz). Factory settings are 86V rms and 20 Hz. Field-adjustable, within above limits, for special applications. Output distribution fuses should not be increased above 0.75 amp to protect the integrity of the system.

NOTE: Components not enclosed within dotted lines are part of Alarm/Distribution Unit (ADU).

System Input Current (Max. at -48 VDC)			
No. of Generators	Main	Standby	Total*
1	2.6A	0	2.62A
2	2.6A	0.25A	2.9A
3	5.2A	0.25A	5.5A

\* Includes ADU operating current



[www.marconi.com/power](http://www.marconi.com/power)  
**Marconi Communications**  
 1122 F Street  
 Lorain, OH 44052  
 800-800-1280  
 Fax: 440-246-4876

Lorain® is a trademark of Marconi Communications Inc.  
 © 2000 Marconi Communications Inc.  
 Printed in the USA. All rights reserved. Any unauthorized reproduction or transmission without the prior consent of Marconi Communications Inc. is prohibited.