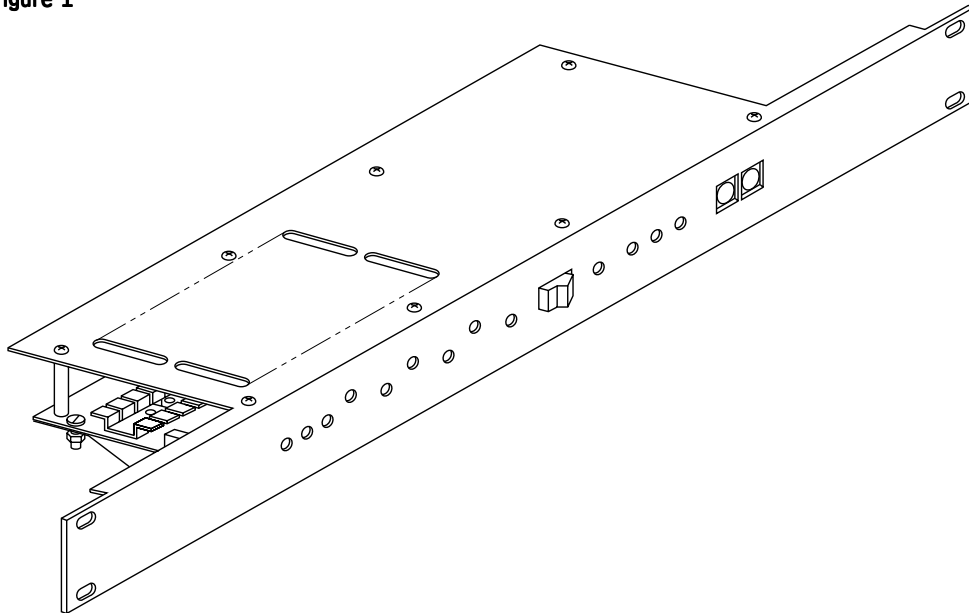


Rectifier Equalize Panels

Rectifier Auto/Manual Equalize Panels

RECTIFIER AUTO/MANUAL EQUALIZE PANELS						
PANEL SIZE	NOMINAL VOLTAGE	DESCRIPTION	PART NO.	MAX. RECTIFIERS CONTROLLED	EQUALIZE TIME ADJUSTABLE RANGE	SEE FIG.
1-3/4" x 19" (4.45cm X 48.26cm)	- 24/48	MONITORS BATTERY VOLTAGE AND RECTIFIER STATE (NOTE 1)	484383500	8	0-99 HRS.	1
484383700						
484384400						
1-3/4" x 23" (4.45cm x 58.42cm)	-48	MONITORS BATTERY VOLTAGE, CURRENT AND RECTIFIER STATE (NOTES 1 & 2)	484384600	6	1-9 TIMES DISCH. TIME, MAX. 300 HRS., MANUAL 24 HRS. (7) SELECTABLE POSITIONS WITH 15, 30, 60, 120, 240, 480, 960 MINUTES WITH (2) OR MORE BEING ACCUMULATIVE.	3
	+24		484384900			

Figure 1



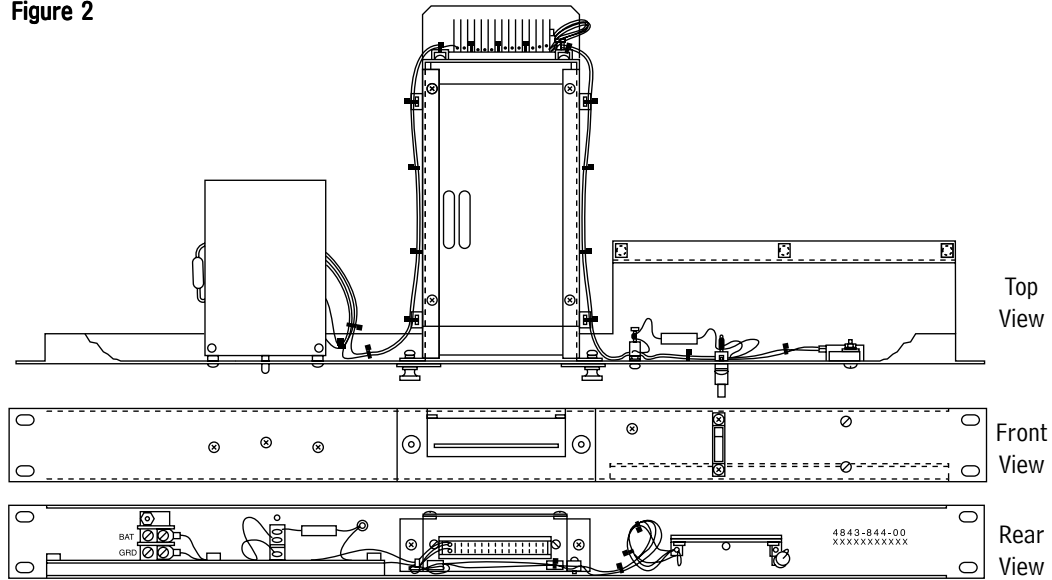
How To Order

1. Specify assembly by part number.
2. Order resistors per application Note 2, if required.
3. Specify voltage and polarity required.

Rectifier Equalize Panels

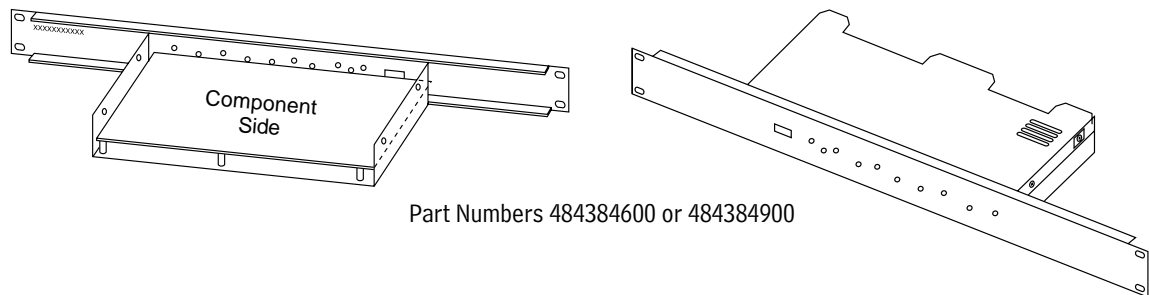
Rectifier Auto/Manual Equalize Panels (continued)

Figure 2



Part Number 484384400

Figure 3



Part Numbers 484384600 or 484384900

Application Notes

1. The ungrounded battery input lead must be fused externally using a customer furnished 1-1/3 amp fuse.
2. An external mounted battery shunt and (2) 49.9 ohm resistors, part number 424228100, are required.
3. Associated rectifiers must be equipped with remote equalize terminals.



www.marconi.com/power

Marconi Communications
1122 F Street
Lorain, OH 44052
800-800-1280
Fax: 440-246-4876

© 2000 Marconi Communications Inc.
Printed in the USA. All rights reserved. Any unauthorized reproduction or transmission without the prior consent of Marconi Communications Inc. is prohibited.