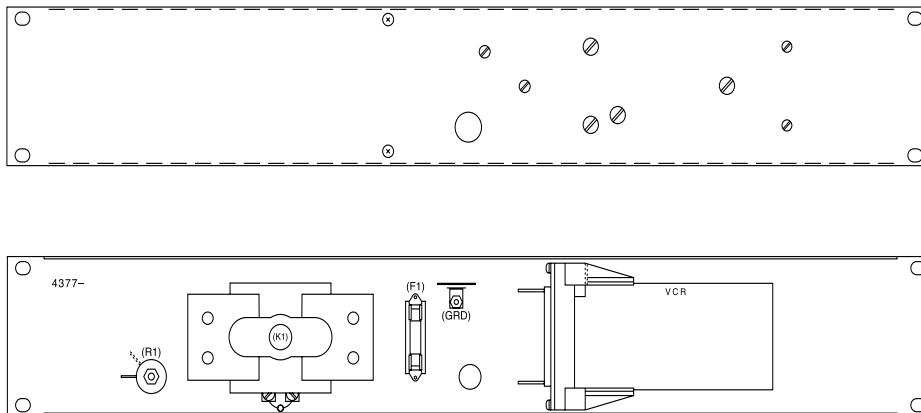


Low Voltage Disconnect Panels

Low Voltage Disconnect Panels

LOW VOLTAGE DISCONNECT PANELS						
Nominal Voltage	amp Capacity	Adjustable Range		Panel Size	Part No.	
		Low	High			
Non Redundant Control Circuit (Figure 1)						
± 24	100	20-25V	Low Limit Plus 0-5V	3-1/2" x 19" (8.89cm x 22.86cm)	437710200	
	200				437710300	
	100			3-1/2" x 23" (8.89cm x 58.42cm)	437710700	
	200				437710800	
	400				437710900	
- 48	100	38-50V	Low Limit Plus 0-10V	3-1/2" x 19" (8.89cm x 22.86cm)	437711400	
	200				437711500	
	400				437711600	
	100			3-1/2" x 23" (8.89cm x 58.42cm)	437711900	
	200				437712000	
	400				437712100	
	600				5-1/4" x 23" (13.34cm x 58.42cm)	437712200
	1,200				8-3/4" x 23" (22.23cm x 58.42cm)	437712300
Redundant Control Circuit (Figure 2)						
± 24 OR ± 48	50-200	17-29V OR 35-46V	18-29V OR 43-56V	5-1/4" x 23" (13.34cm x 58.42cm)	437717300	
	400-600				437717400	
	800-1,200			8-3/4" x 23" (22.23cm x 58.42cm)	437717500	
	1,600				437717600	

FIGURE 1



Typical Non Redundant — Part Numbers 437710200 thru 437712100

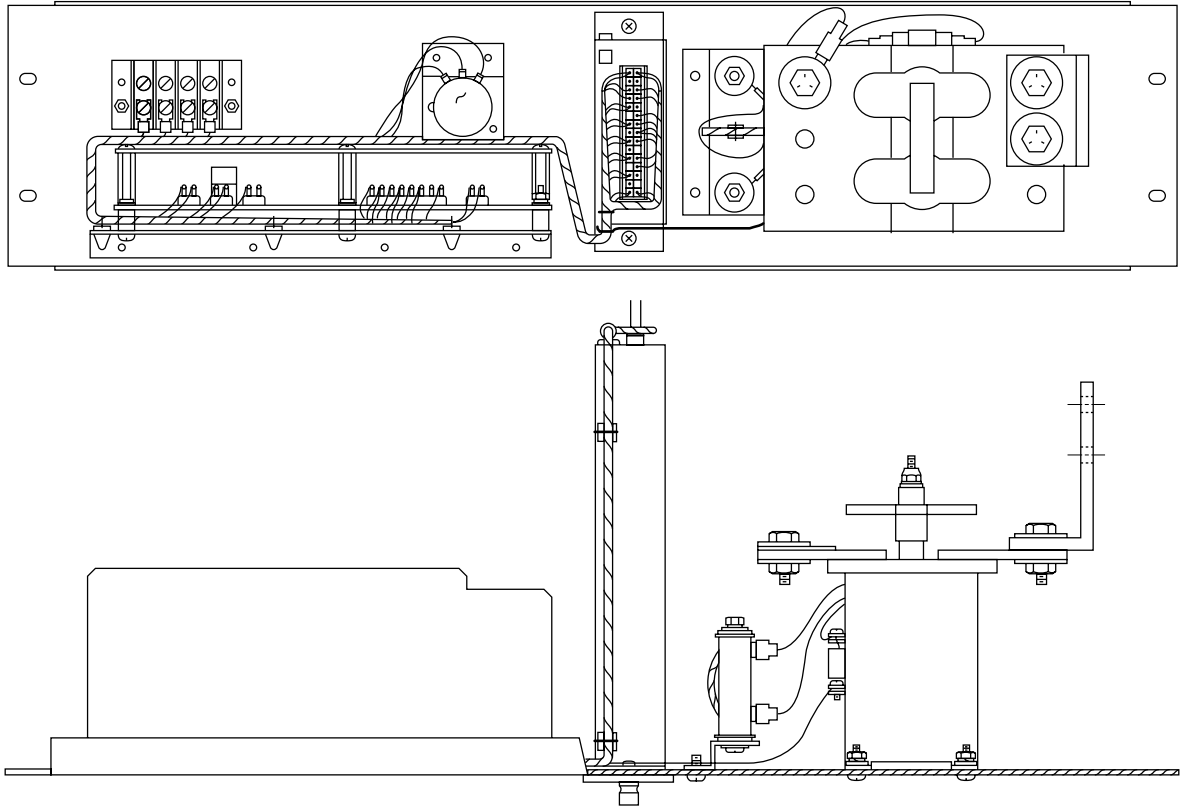
How To Order

1. Specify required low voltage disconnect panel by part number from the above table.
2. Specify any lug adapters by part number from the above table.
3. Specify quantity and part number of lugs from the lug tables as required.
4. Specify required voltage limits if different than standard factory settings shown in the above table.

Low Voltage Disconnect Panels

Low Voltage Disconnect Panels (continued)

FIGURE 2



Typical Redundant — Part Number 437717300 thru 427717600

Application Notes

1. Factory voltage settings for low voltage disconnect applications will be as shown in the nominal voltage table unless otherwise specified.
2. Lug adapters are for low voltage disconnects up to 600 amp only. For larger capacity, special bus bar arrangements are required.

NOMINAL VOLTAGE	LOW	HIGH
24	20.0V	25.0V
48	42.0V	49.0V

CONTACTOR LUG ADAPTERS

TWO HOLE LUG MOUNTING POSITIONS	HDW	PART NO.
1	3/8" (.95cm) - 1" (2.54cm) C-C	361753000
1	3/8" (.95cm) - 1" (2.54cm) C-C	362545900
2	1/4" (.64cm) - 1" (2.54cm) C-C	
2		362546800
3	3/8" (.95cm) - 1" (2.54cm) C-C	363133500
6		363134500



www.marconi.com/power
Marconi Communications
 1122 F Street
 Lorain, OH 44052
 800-800-1280
 Fax: 440-246-4876

© 2000 Marconi Communications Inc.
 Printed in the USA. All rights reserved. Any unauthorized reproduction or transmission without the prior consent of Marconi Communications Inc. is prohibited.