

REPORTER Monitoring System

Key Features

- **±24 and -48V Versions**—meet monitoring requirements in wireless, local loop and central office applications
- **Remote Relay Trip**—provides alarm testing, engine start-up and load transfer without on-site personnel
- **Easy Remote Access by Phone or Modem**—user friendly, enables reporting from central location
- **Extensive Help Menu**—saves time with simple access commands
- **Custom Alarm Capability**—you program alarm reporting configuration to meet your system requirements
- **Front Access Cabinets**—provide fast installation and service
- **Environmentally Hardened**—may be used in uncontrolled and extended temperature environments

Description

The Lorain® REPORTER is a user programmable data acquisition and alarm monitoring system. The system monitors both analog and binary inputs and stores the collected data for later use.

There are up to eight analog inputs which can be used to monitor a variety of voltages and loads. Each of the analog inputs has adjustable high and low limit alarms that can be programmed to initiate an alarm indication or record only for statistical purposes.

The REPORTER has 16 binary inputs. Typical binary inputs include alarm and status indications, and any input with an on or off status.

Each alarm input, whether analog or binary, can be programmed to initiate a telephone notification of the alarm indication and the REPORTER identification. Each alarm input can also be programmed to delay notification to reduce alarms initiated by transient situations. The notification can be to a remote terminal or to a telephone. A telephone notification will be communicated using synthesized voice.

Application

The REPORTER is designed for small power systems being used in CEVs, huts, cellular sites, microwave stations, small central offices and other remote locations. With its extended operating temperature range, the REPORTER may be used successfully in remote terminals and other cabinet applications where wide and varying temperature ranges are experienced.

Communication

Information can be obtained from the REPORTER using several different methods.

Local: An RS232 connector is provided to permit connection to any standard terminal.

Remote: An RJ11 modular phone jack is furnished for phone line connection to the internal 300/1200 baud modem. Screw terminals are also provided as an alternative to the RJ11 phone jack. Additionally, a Hayes® compatible modem can be connected to the RS232 connector. Remote access can be accomplished either through a remote terminal or through any tone (not pulse) push-button telephone.

Access

There are three levels of access available when the REPORTER is accessed using a computer terminal. Level 1 access permits display of operating information, while level 2 access permits display of the REPORTER operating configuration and allows changing of the date and time. Level 3 access allows the changing of REPORTER configuration. When the REPORTER is accessed remotely through a telephone, there are two levels of access available. All commands of a lower access level are available at a higher level.



**Wall Mount
REPORTER
23" (58.42cm) Relay Rack Mount
Reporter also available**

REPORTER Monitoring System

Statistics

In addition to alarm reporting capabilities, the REPORTER will record several statistics for each analog input. These statistics are retained in nonvolatile memory.

Alarm/Relay Outputs

The REPORTER is equipped with six relays, each of which may be selected by the user for a particular function. Each relay may be programmed to energize or release dependent upon any monitored input or combination of inputs, time intervals, or day of the month. Relays may also be operated by remote access, or programmed to have delayed operation when energizing or releasing. In addition to the six relays, there is also a relay for system failure.

Specifications

Power Input

Voltage:

24 volt input — Nominal 24 VDC, with an input range of 19 to 35 volts

48 volt input — Nominal 48 VDC, with an input range of 41 to 60 volts

Current: 24 volt input — 0.4 amps typical

48 volt input — 0.2 amps typical

Analog Inputs

Quantity: 0 to 8, dependent upon number of accessory analog modules installed.

Input Rating: The voltage measured by the Reporter is dependent upon the rating of the analog input modules selected and installed in the Reporter.

Alarms: Each analog input has independently adjustable high and low alarm setpoints.

Binary Inputs

Quantity: Sixteen (16)

Rating: An applied voltage of 20 to 150 volts, AC or DC is defined as the CC (contact closed) state. An applied voltage of 1.5 volts or less is defined as the CO (contact open) state. Voltages between 1.5 and 20 volts are undefined.

Alarms: Either the CC or CO state may be configured as the alarm state.

Control Relays

Quantity: Six

Contact Arrangement: Form-C

Rating: Contacts are rated for 0.6A at 125 VAC, 0.6A at 110 VDC, 2.0A at 30 VDC.

System Fail Relay

Quantity: One (1)

Contact Arrangement: Form-C

Rating: Contacts are rated for 0.6A at 125 VAC, 0.6A at 110 VDC, 2.0A at 30 VDC.

Communication

Telephone: RJ11 modular phone jack furnished to permit remote communication, either through synthesized speech or built-in 300/1200 baud modem. As an alternative, two screw terminals may be used for telephone line connection.

Terminal: RS232 port furnished; may be connected to terminal or Hayes compatible modem.

Physical Characteristics

Mounting: Designed for 23" (58.42cm) relay rack mounting, requires 3.5" (8.89cm) rack space. A wall mount version is also available.

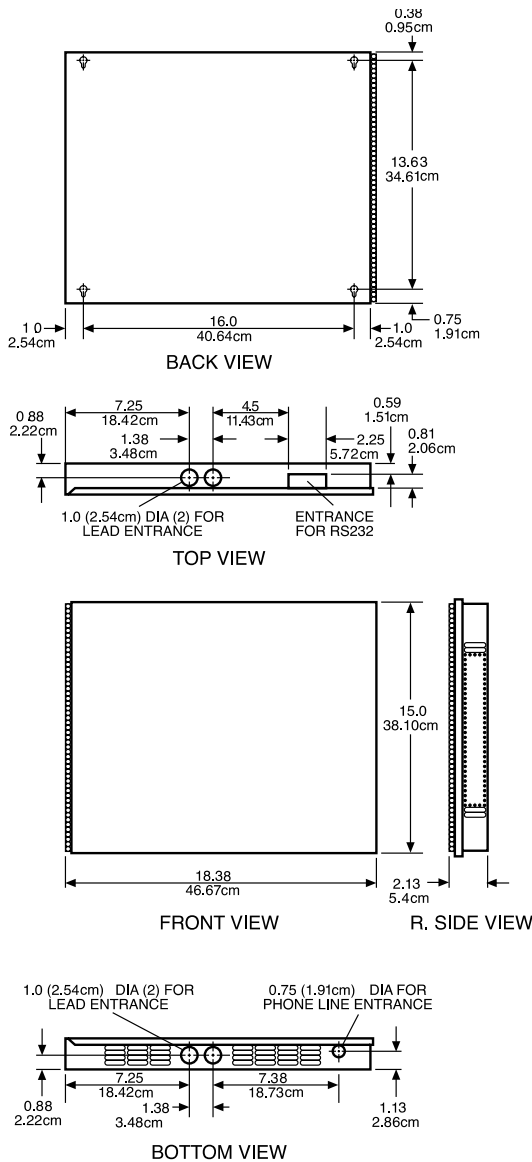
Battery Back-Up

Two small batteries are provided for the clock and memory in the event of a power interruption. They have a shelf life of ten years and a one year discharge rate.

REPORTER Monitoring System

Dimensions

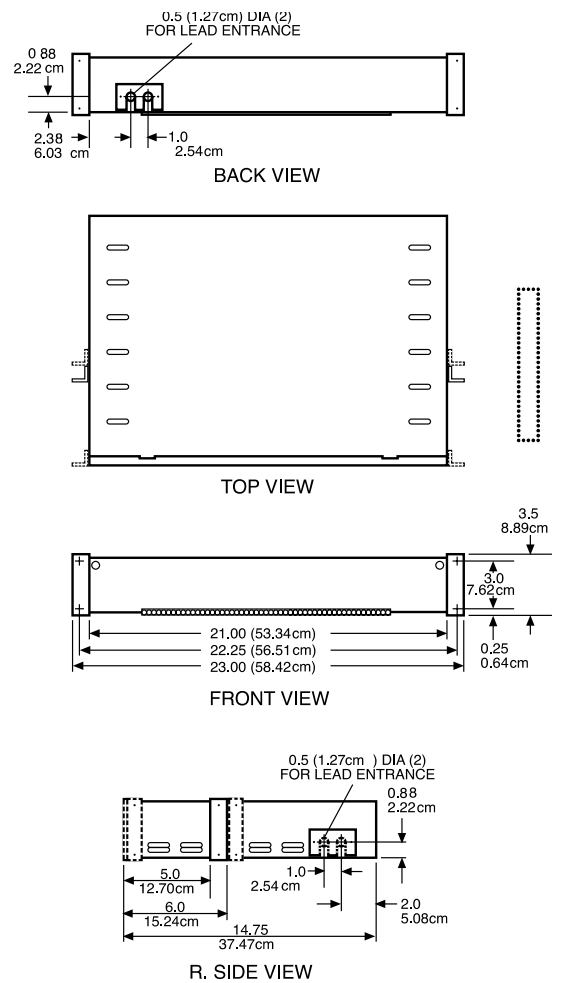
WALL MOUNT REPORTER



NOTES:

1. All dimensions are in inches (centimeters).
2. ≡≡≡ denotes ventilation grille.
3. Unused lead entrance openings to be covered with furnished cover plate.

RELAY RACK MOUNT REPORTER



NOTES:

1. All dimensions are in inches (centimeters).
2. ≡≡≡ denotes ventilation grille.
3. Mounting angles can be installed for flush, 5" or 6" (12.7cm or 15.24cm) projection from front of rack.
4. Unused lead entrance openings to be covered with furnished cover plate.

REPORTER Monitoring System

Additional Information

For additional specifications, engineering and installation information, specify model REPORTER, spec. number 586501000 (wall mount, 24 volt), spec. number 586500900 (23" [58.42cm] relay rack mount, 24 volt), spec. number 586501200 (wall mount, 48 volt), spec. number 586501100 (23" [58.42cm] relay rack mount, 48 volt), spec. number 586501700 (23" [58.42cm] relay rack mount, 48 volt, Spanish), and spec. number 586501900 (23" [58.42cm] relay rack mount, 48 volt, off-white).



www.marconi.com/power
Marconi Communications

1122 F Street
Lorain, OH 44052
800-800-1280
Fax: 440-246-4876

Lorain® is a trademark of Marconi Communications Inc.
Hayes® is a trademark of Hayes Microcomputer Products, Inc.

© 2000 Marconi Communications Inc.
Printed in the USA. All rights reserved. Any unauthorized
reproduction or transmission without the prior consent of
Marconi Communications Inc. is prohibited.