

# NPort 1220, 1220I

## Isolated 2-Port RS-422/485 USB Serial Hub

### Features

- Expand to 2 RS-422/485 Ports through USB
- Supports 4-wire RS-422/485 and 2-wire RS-485 applications
- Hot plug and play
- Supports bus power and external power
- No additional I/O, IRQ required
- RS-422/485 speed up to 115.2 Kbps
- Supports USB 1.1, full rate speed up to 12 Mbps
- Built-in 15 KV ESD Surge Protection
- Supports 2 KV Isolation (NPort 1220I)



### Instantly Plug and Play

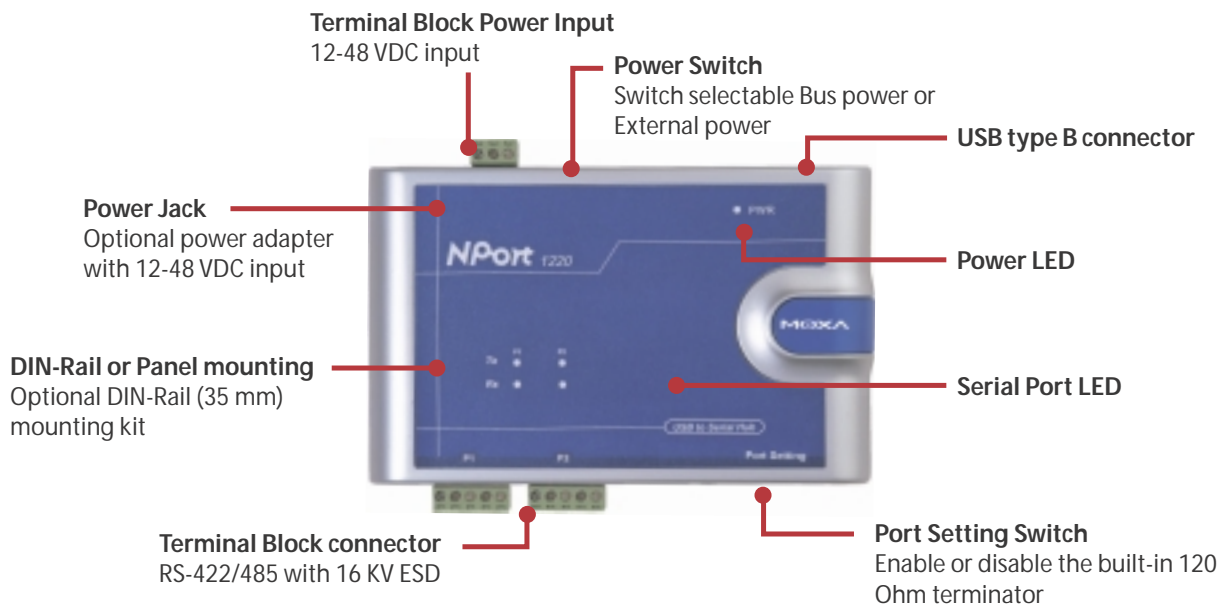
NPort 1220 gives your laptop or workstation the ability to communicate between a USB (Universal Serial Bus) port and up to 2 RS-422/485 serial peripherals. NPort 1220 adds 2

Windows serial COM ports via its USB port, and is compatible with new and legacy RS-422/485 devices.

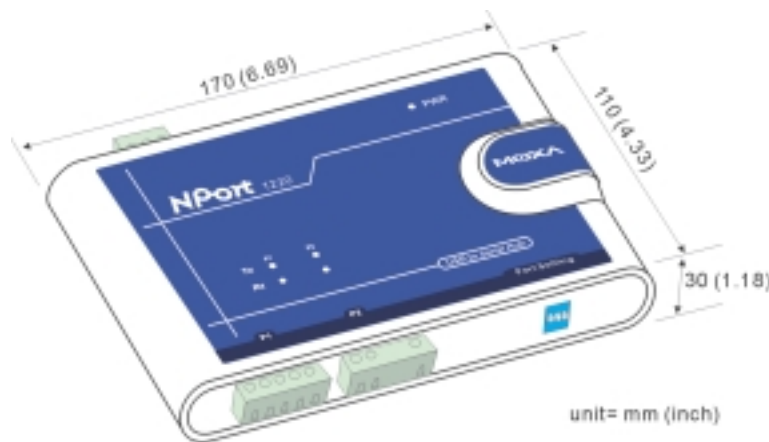
### Hassle-Free Serial Port Expansion

USB plug and play allows easy serial port expansion and requires no IRQ, DMA, or I/O port resources. Users no longer

need to open the chassis or power down the system, saving on setup time and cost.



## Dimensions



## Specifications

### USB

**Compliant with USB 1.1, 1.0**

**USB 2.0 backwards compatible**

**Connector:** USB type B

**Speed:** Full speed 12 Mbps

### Serial

#### Interface:

4-wire RS-422: TxD+/-, RxD+/-, GND

4-wire RS-485: TxD+/-, RxD+/-, GND

2-wire RS-485: Data+/-, Data+/-, GND

**Connector:** Terminal Block

**FIFO:** 128 bytes

**Serial line protection:** 16 KV ESD for all signals

#### Serial Communication Parameters

**Parity:** None, Even, Odd

**Data bits:** 7, 8

**Stop bit:** 1, 2

**Flow control:** RTS/CTS

**Speed:** 600 bps to 115.2 Kbps

### Power Requirements

**Power Input:** 12 to 48 VDC (external) or 5 VDC (Bus power)

**Power Consumption:** BUS: 140mA @ 5 VDC

Ext.PWR: 155 mA @ 12V

306 mA @ 12V

### Mechanical Specifications

**Material:** ABS

**Gross Weight:** 215±5g (0.48 lb)

### Environmental

**Operating Temperature:** 0 to 55°C (32 to 131°F)

**Storage Temperature:** -20 to 85°C (-4 to 185°F)

**Operating Humidity:** 5 to 95% RH

### Agency Approvals

**EMC:** FCC (Class B), CE (Class B)

**Safety:** UL, CUL, TÜV

## Ordering Information

**NPort 1220:** USB to 2-Port RS-422/485 Serial HUB

**NPort 1220I:** USB to 2-Port RS-422/485 Serial HUB  
w/Isolation