

EtherDevice™ Switch EDS-308/305 Series

Industrial 8- or 5-Port Smart Ethernet Switch

Features

High Performance Network Switching Technology

- 10/100BaseT(X) (RJ45), 100BaseFX (SC type, Multi/Single mode)
- IEEE 802.3/ 802.3u/ 802.3x
- Store and Forward switching process type, 1024 address entries
- 10/100M, Full/Half-Duplex, MDI/MDIX auto-sensing

Industrial Grade Reliability

- Power failure, port break alarm by relay output
- Redundant dual DC power inputs

Rugged Design

- 0 to 60°C operating temperature range
- IP 30, rugged high-strength case
- DIN-Rail or panel mounting ability



EDS-308

EDS-308-MM
EDS-308-SSEDS-308-M
EDS-308-S

EDS-305

EDS-305-M
EDS-305-S

Overview

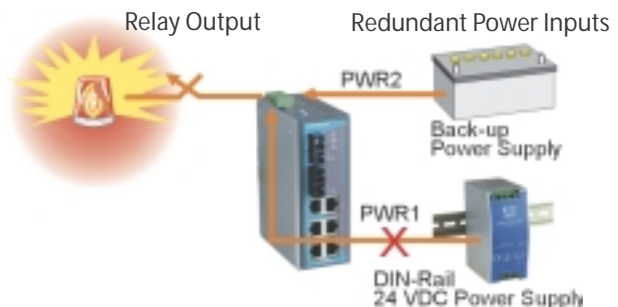
The MOXA EtherDevice™ Smart Switches, EDS-308/305 series, are 8- and 5-port Ethernet Switches that provide an economical solution for your Ethernet connection, and the built-in smart alarm function helps system maintainers monitor the health of your Ethernet network. These products have a wide operating temperature range,

from 0 to 60°C, and are designed to withstand a high degree of vibration and shock.

The rugged hardware design makes EDS-308/305 series perfect for demanding industrial environments, giving you the confidence that your industrial applications will work continuously for many years.

Redundant Power Inputs

EDS-308/305 provides two power inputs that can be connected simultaneously to live DC power sources. If one of the power inputs fails, the other live source acts as a backup to automatically support the EDS-308/305's power needs.



Relay Output Alarm by Port Break, Power Failure

EDS-308/305 provides relay contact outputs to warn technicians on the shop floor when the power fails or a port link

breaks, so that they can respond quickly with appropriate emergency operation procedures.

Specifications (Preliminary*)

Technology

Standards: IEEE802.3, 802.3u, 802.3x

Forward and Filtering Rate:

148810 pps

Packet Buffer Memory: 256 KB

Processing Type: Store and Forward, with IEEE802.3x full duplex, non-blocking flow control

Address Table Size: 1K uni-cast addresses

Latency: Less than 5µs

Interface

RJ45 Ports: 10/100BaseT(X) auto negotiation speed, F/H duplex mode, and auto MDI/MDIX connection

Fiber Ports: 100BaseFX ports (SC connector)

LED Indicators: Power, Faults, ACT, LNK, 10/100

DIP Switch: Port break alarm mask

Alarm Contact: One relay output with current carrying capacity of 1A @ 24 VDC

Optical Fiber

Distance: Single mode fiber for 15 km, Multi mode fiber for 2 km

Wavelength: 1310 nm

Min. TX Output:

-15 dBm (Single), -20 dBm (Multi)

Max. TX Output:

-6 dBm (Single), -14 dBm (Multi)

Sensitivity:

-36 to -32 dBm (Single),

-34 to -30 dBm (Multi)

Power

Input Voltage: 12 to 48 VDC, redundant inputs

Connection: Removable Terminal Block

Overload Current Protection: Present

Reverse Polarity Protection: Present

Mechanical

Casing: IP30 protection, aluminum case

Dimensions: 53.6 x 135 x 105 mm (W x H x D)

Installation: DIN-Rail, Wall Mounting

Environment

Operating Temperature: 0 to 60°C (32 to 140°F)

Storage Temperature:

-40 to 85°C (-40 to 185°F)

Ambient Relative Humidity:

5 to 95% (non-condensing)

Regulatory Approvals

UL/CUL: UL60950

TÜV: EN60950

FCC Part 15 class A

EMI: EN55022

EMS: EN61000-4-2 (ESD)

EN61000-4-3 (RS)

EN61000-4-4 (EFT)

EN61000-4-5 (Surge)

EN61000-4-6 (CS)

Shock: IEC60068-2-27

Free Fall: IEC60068-2-32

Vibration: IEC60068-2-6

WARRANTY

5 years

* These product specs are subject to change without notice.

Ordering Information

Industrial 8-port Smart Ethernet Switch

EDS-308: Industrial Smart Ethernet Switch with 8 10/100BaseT(X) ports

EDS-308-M-SC: Industrial Smart Ethernet Switch with 7 10/100BaseT(X) ports, 1 multi mode 100BaseFX port

EDS-308-S-SC: Industrial Smart Ethernet Switch with 7 10/100BaseT(X) ports, 1 single mode 100BaseFX port

EDS-308-MM-SC: Industrial Smart Ethernet Switch with 6 10/100BaseT(X) ports, 2 multi mode 100BaseFX ports

EDS-308-SS-SC: Industrial Smart Ethernet Switch with 6 10/100BaseT(X) ports, 2 single mode 100BaseFX ports

Industrial 5-port Smart Ethernet Switch

EDS-305: Industrial Smart Ethernet Switch with 5 10/100BaseT(X) ports

EDS-305-M-SC: Industrial Smart Ethernet Switch with 4 10/100BaseT(X) ports, 1 multi mode 100BaseFX port

EDS-305-S-SC: Industrial Smart Ethernet Switch with 4 10/100BaseT(X) ports, 1 single mode 100BaseFX port

All items include User's Manual

Optional Accessories

DR-4524: 45W/2A DIN-Rail 24 VDC Power Supply with universal 85 to 264 VAC input

DR-75-24: 75W/3.2A DIN-Rail 24 VDC Power Supply with universal 85 to 264 VAC input

DR-120-24: 120W/5A DIN-Rail 24 VDC Power Supply with 88 to 132 VAC/176 to 264 VAC input by switch

See page 7-3 for more detailed information about these DIN-Rail Power Supplies.